



United States Patent

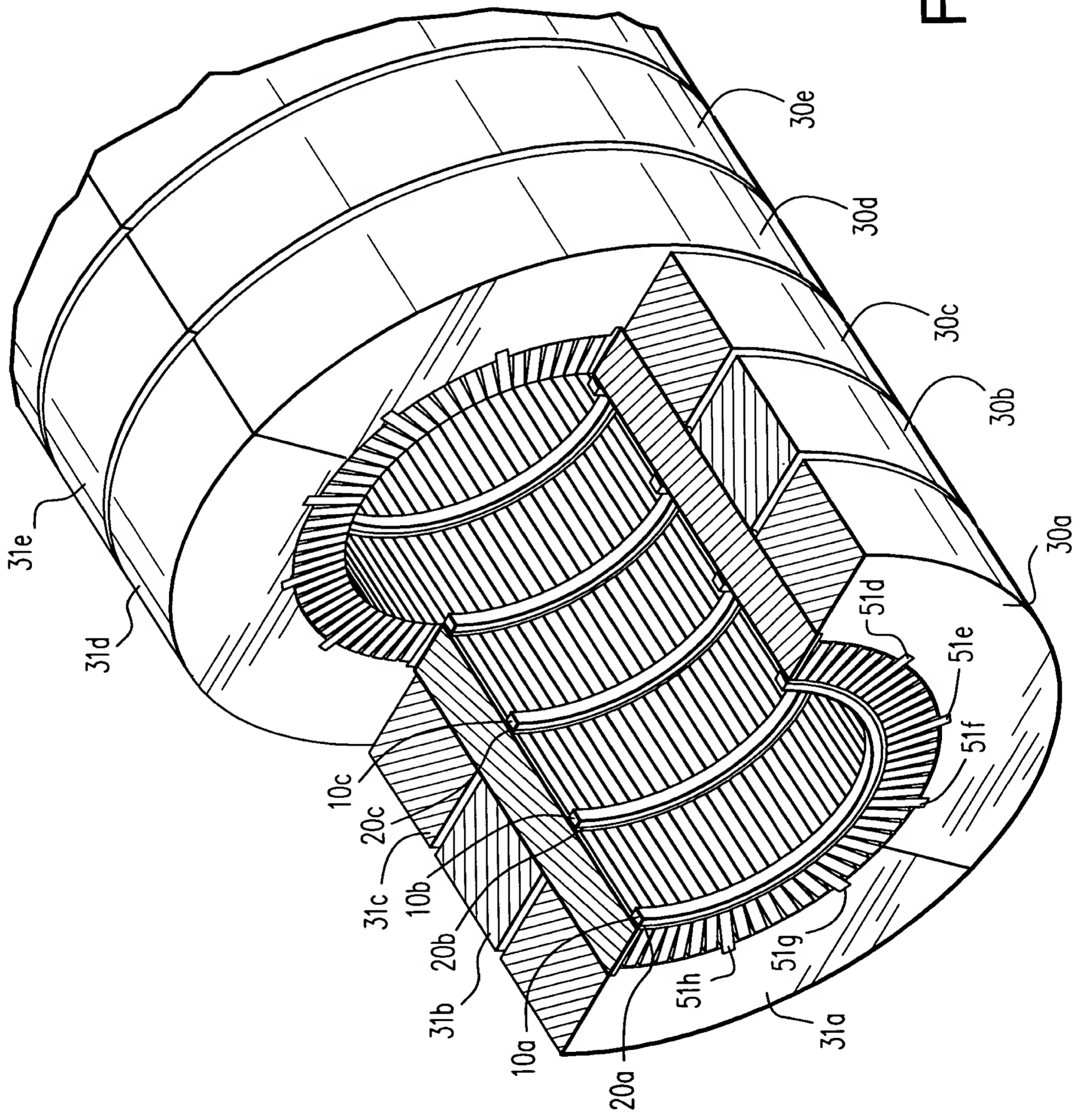


Fig. 2

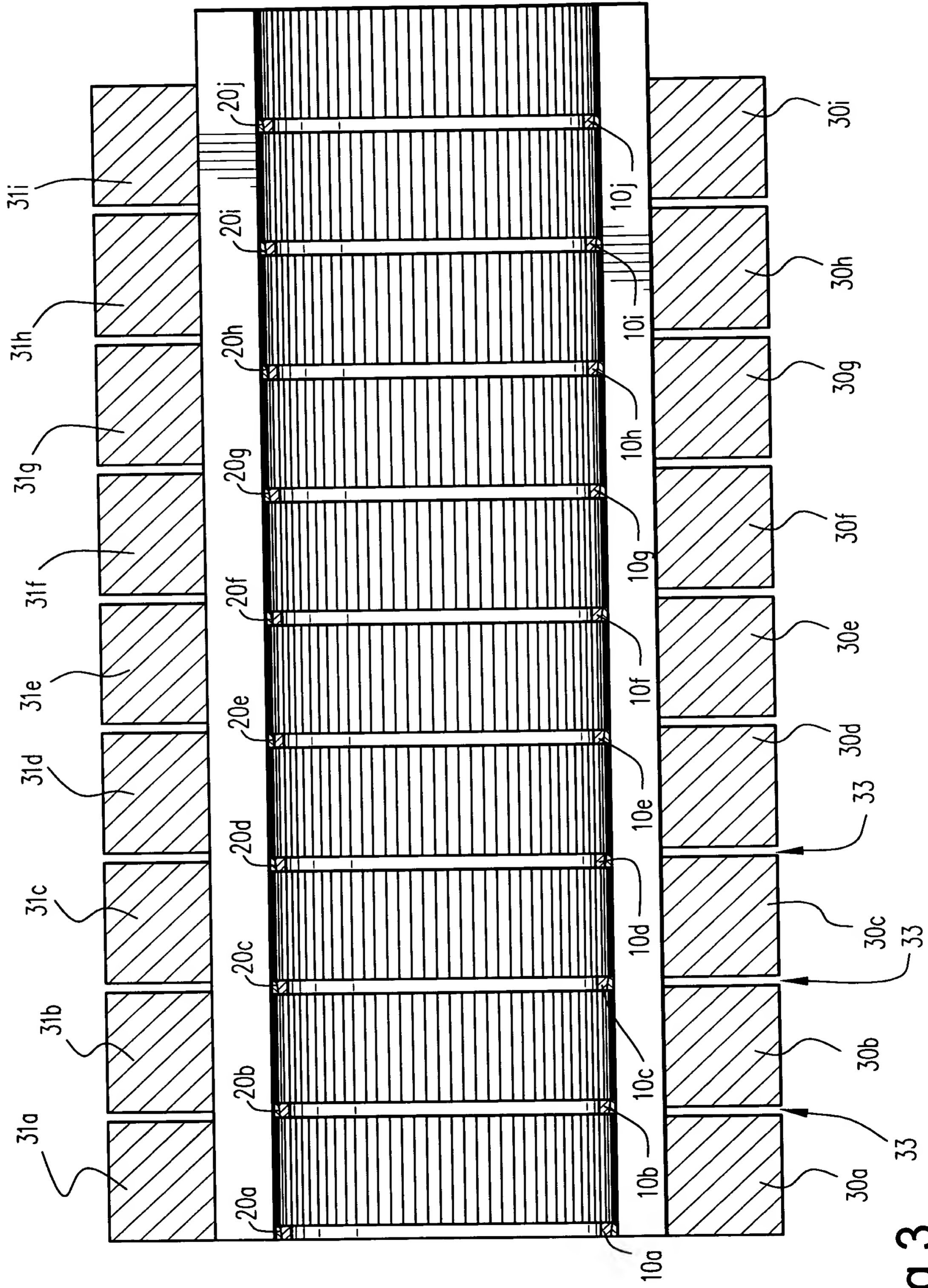


Fig. 3

Hof H

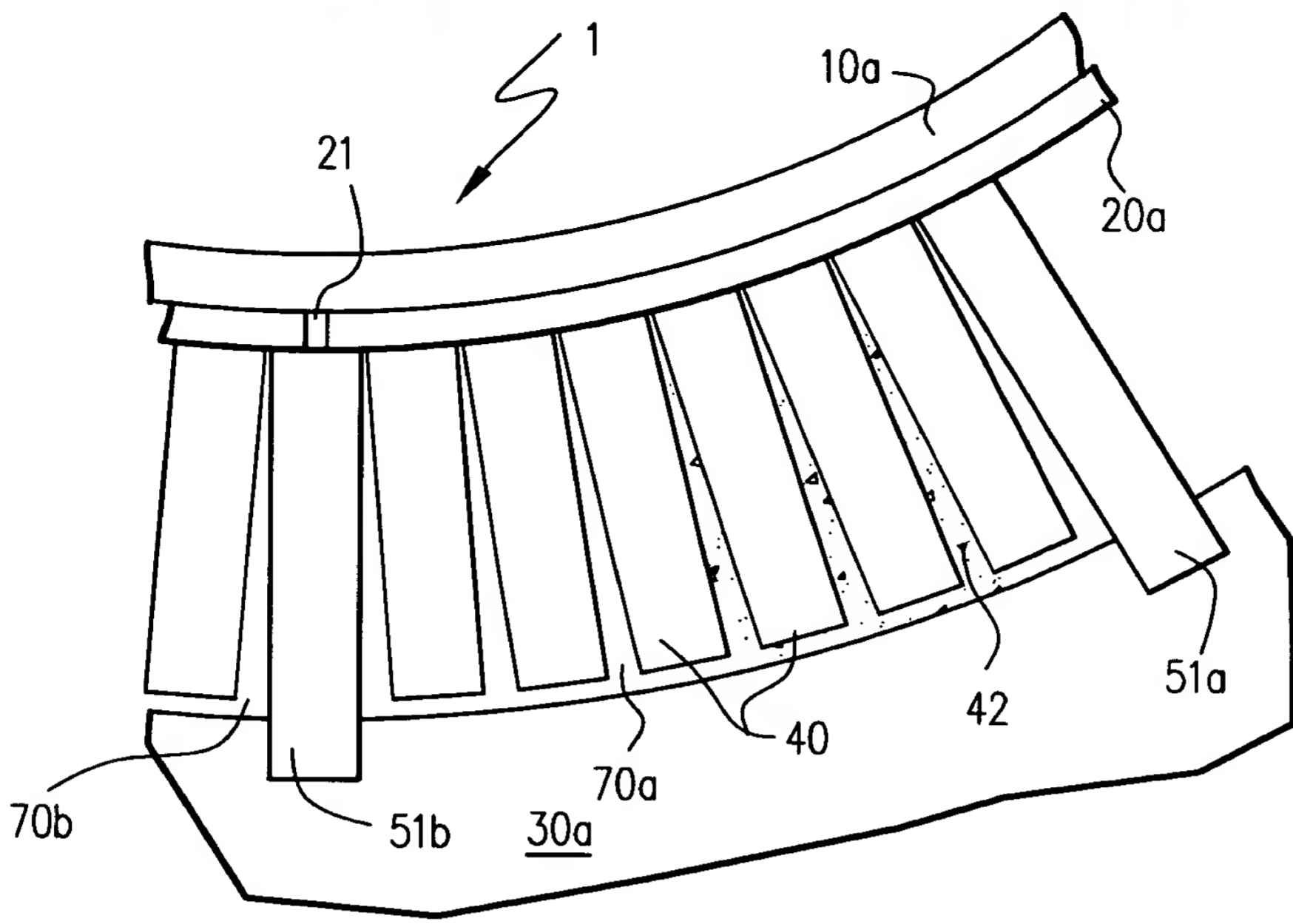


Fig.4

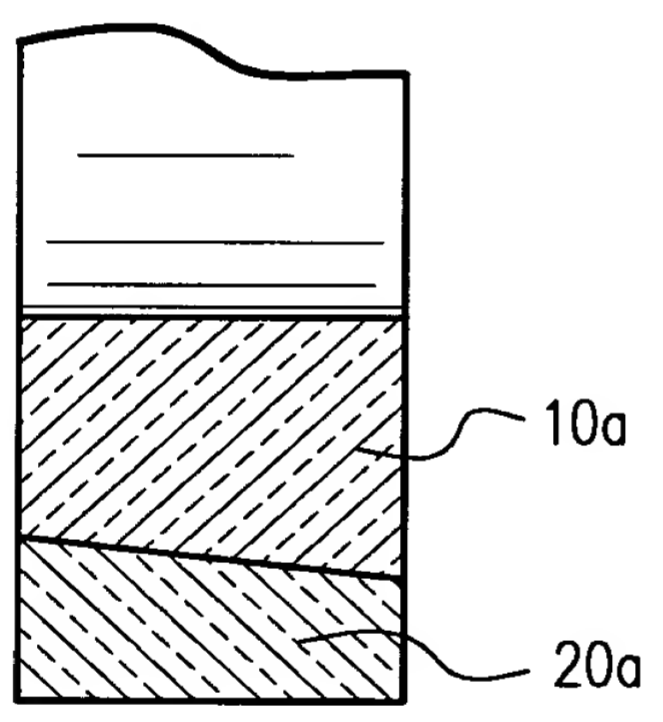


Fig.5

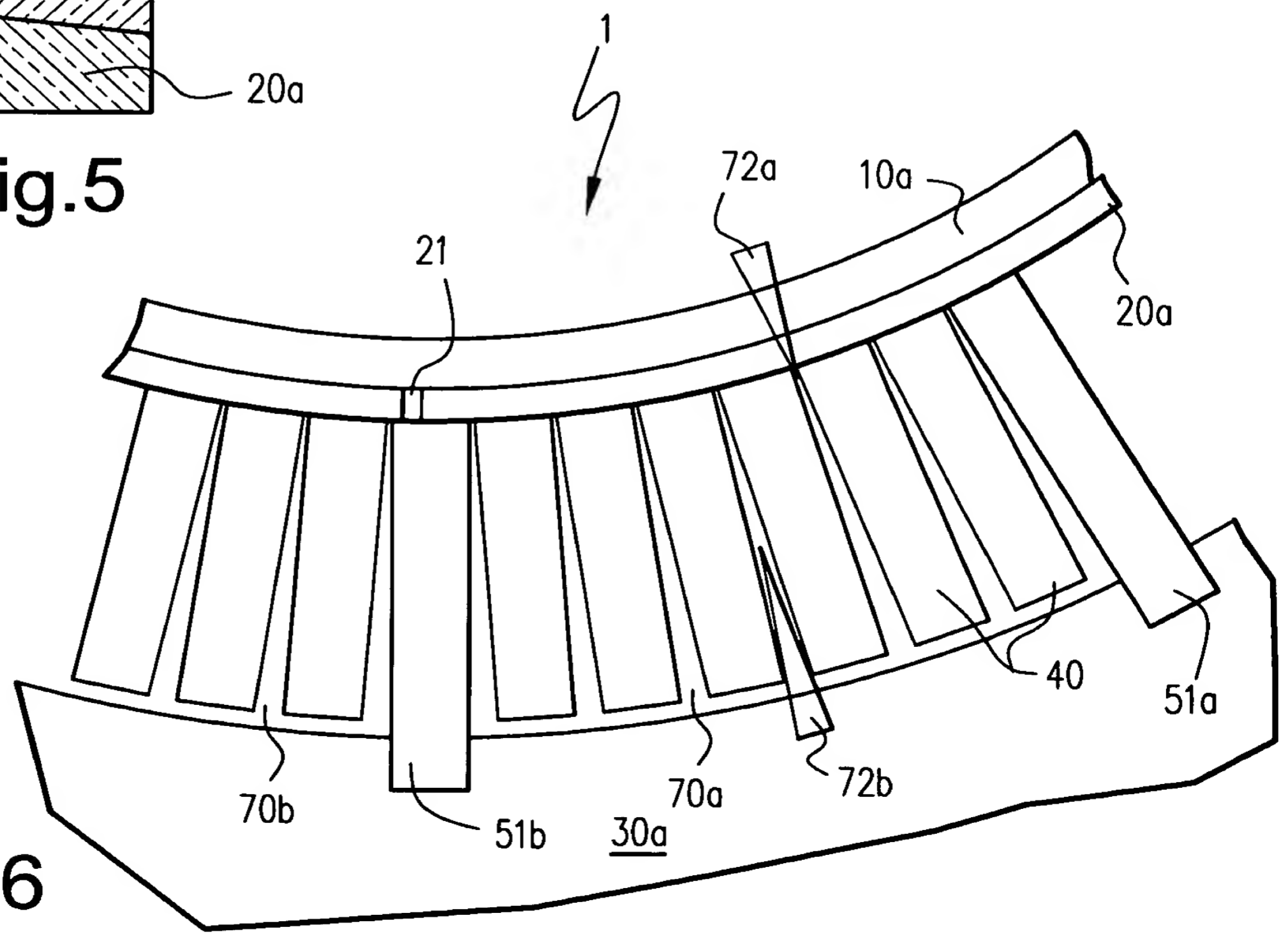


Fig.6

www.360.com